

Load break switch-disconnector fuses

M3/0 – 125 A – NH00



*Indicative picture

Standards

IEC 60947-1 & 3



Quality Telergon

ISO 9001 & 14001



Electrical data (according to IEC 60947-3):

Fuses

NH 00

Thermal current I_{th} (in ambient 35°C and temporarily 40°C)

125 A

Rated insulation voltage U_i

1000 Vac

Rated impulse withstands voltage U_{imp}

8 kV

Power losses in fuses

8.8 W

AC Rated operational current I_e (A)

Voltage	Category of operation	I_e
415 V	AC23A	125 A

Short-circuit ratings

Conditional short-circuit current (rms)	100 kA
Maximum cut-off current (peak)	16,5 kA

Connection capacity

Rigid cable Cu (mm ²) max	70
Bar (Max. Width) (mm)	25
Tightening torque (N·m)	6

Mechanical data

Number of operating cycles	8000
----------------------------	------

Codes

Size	Poles	Switch code	Accessories	Accessories code
0	2P	M3-01252PTD40	Direct handle	DM3SIB1
	3P	M3-01253PTD40	Panel handle (ON-OFF-TEST)	DM3SAB1
	3P+DN*	M3-01253DTD40	Terminal shrouds	DM3CU01/ DM3CU02/ DM3CU03
	3P+N	M3-01253NTD40	Auxiliary contacts	DM3AUB1
			Phase barriers	DM3SF01/ DM3SF02/ DM3SF03

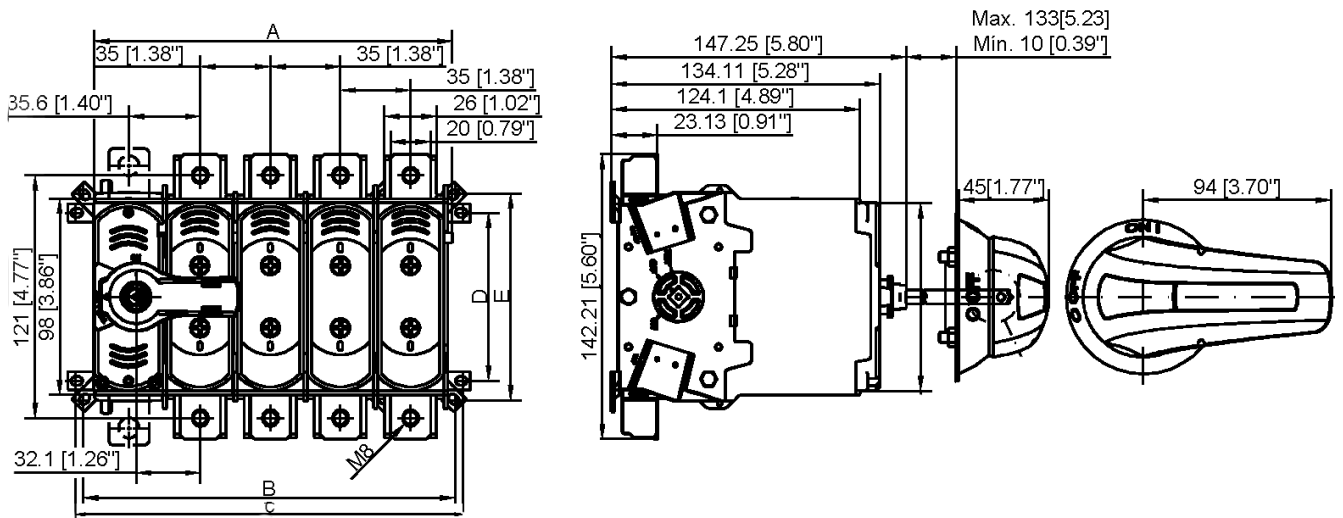
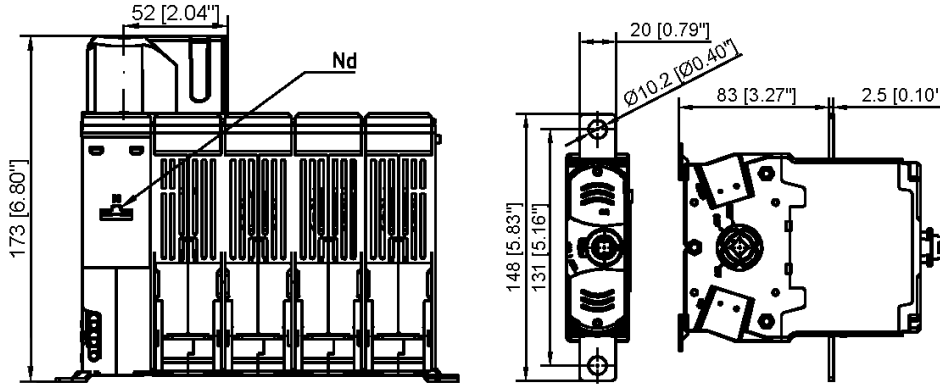
*DN=detachable neutral

Visit our website for more information www.telergon.com

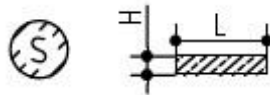
Switch-disconnector with fuses
M3/0 – 125 A – NH00

TELERGON, SAU
Data subject to change without
notice (printed: 04/03/2022)

Dimensions (mm)



	A		B		C		D		E	
	mm	in	mm	in	mm	in	mm	in	mm	in
2P	109	4.29	116	4.57	124	4.88	84	3.31	103	4.06
3P 3P+DN	144	5.67	151	5.94	159	6.26				
3P+N 4P	179	7.05	186	7.32	194	7.64				



S max (Cu)		H max (Cu)		L max (Cu)		T	M	
mm ²	AWG	mm	in	mm	in		Nxm	lbf·in
70	00	3	1/8	25	1	M8	6	53

Visit our website for more information www.telergon.com



Switch-disconnector with fuses
M3/0 – 125 A – NH00

TELERGON, SAU
Data subject to change without
notice (printed: 04/03/2022)